

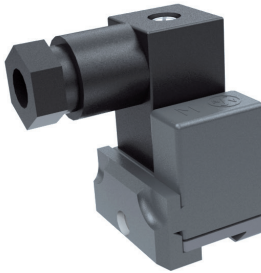
LIMIT REED SWITCH

ZE 950 / ZE 951

Features

- Accessory for the flow meter, type DFM with a magnetic float
- Simple assembly and positioning on the dovetail of the DFM measuring tube
- Plug of the compact reed switch can be positioned in 0° - 90° - 180° steps
- Easy to retrofit in existing systems

ABS



ZE 950 – monostable / ZE 951 – bistable

Description ZE 950 / ZE 951

- The limit reed switch ZE 95 / ZE 951 serves as a flow signal transmitter. It is clamped to the dovetail guides and signals when the magnetic float in the measuring tube has reached or passed the signal transmitter position. As soon as this happens, a contact in the signal transmitter, as the actual switching element (reed switch), opens or closes.

Function

ZE 950 – monostable (normally open contact (NO)):

- The contact is closed when the float is directly at the height of the signal transmitter. It opens as soon as the float moves up or down, i.e. when the flow increases or decreases.

ZE 951 – bistable (normally open contact (NO)/ normally closed contact (NC)):

- The contact is closed (normally open contact) or opened (normally closed contact), as soon as the magnetic float moves up from below to approach the signal transmitter or is at the direct height of the signal transmitter. If the float goes above the signal transmitter, the switching state remains unaffected. The switching state is only canceled if the float goes below the signal transmitter.

ASV-Stübbe resistance guide

- www.asv-stuebbe.de/pdf_resistance/300051.pdf

Housing

- ABS

Ambient temperature

- 0–55 °C

Connector plug

- according to DIN EN 175301-803

Voltage

- 0–230 V AC/DC, 50/60 Hz

Switching current

- 0.5 A (max.)

Electric switching capacity

- 10 VA (max.)

Resistance

- < 150 mOhm

Insulation resistance

- > 10¹⁰ Ohm

Hysteresis

- 10 mm

Type of protection

- IP 65 with mounted connector plug

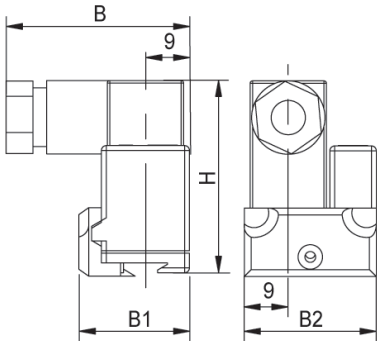
Connection cable

- Cable outside diameter: 4–6 mm
- Nominal cross-section: 1.5 mm² (max.)

Color

- anthracite gray

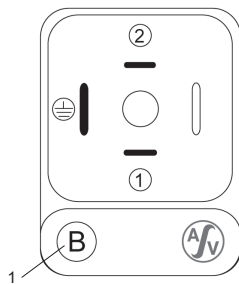
Limit reed switch ZE 950 / ZE 951



B	37.5
B1	22.6
B2	27
H	40

all dimensions in mm / * dimensions in inch

Electrical connection



Description

1	"B" bistable / "M" monostable
---	-------------------------------

Note

ZE 950 / ZE 951:

Do not exceed the current data or the switching capacity.
The polarity of the connections has no effect on their function.

ZE 951:

Prior to commissioning/first start-up it is important that the float passes the switch ZE 951 at least three times in order to cancel out any possible monostable behavior.

Application



Note

suitable for float, flow meter
DFM 165–350